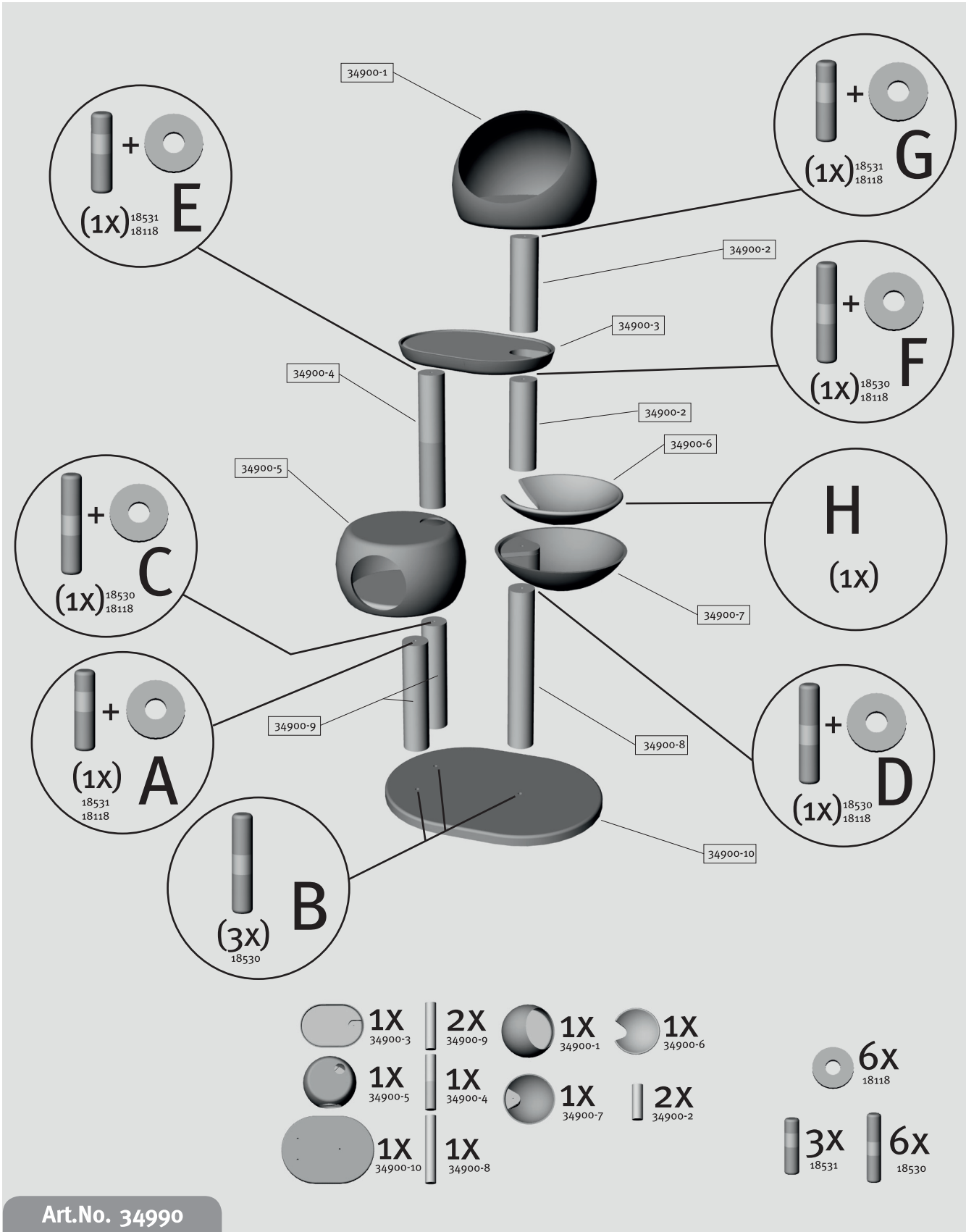




# Outdoor III

## Instructions

KFA\_001210\_DB



- |                |               |               |               |             |
|----------------|---------------|---------------|---------------|-------------|
| 1X<br>34900-3  | 2X<br>34900-9 | 1X<br>34900-1 | 1X<br>34900-6 | 6X<br>18118 |
| 1X<br>34900-5  | 1X<br>34900-4 | 1X<br>34900-7 | 2X<br>34900-2 | 3X<br>18531 |
| 1X<br>34900-10 | 1X<br>34900-8 |               |               | 6X<br>18530 |

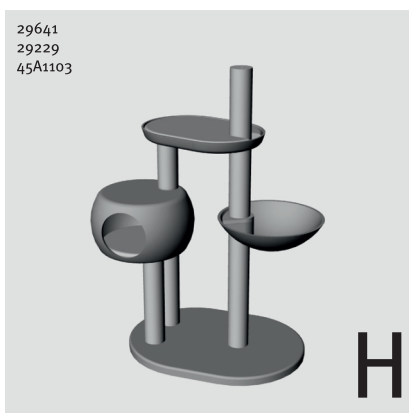
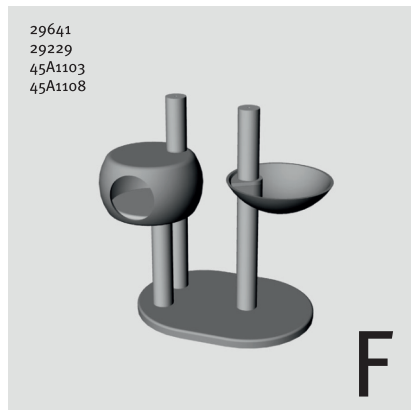
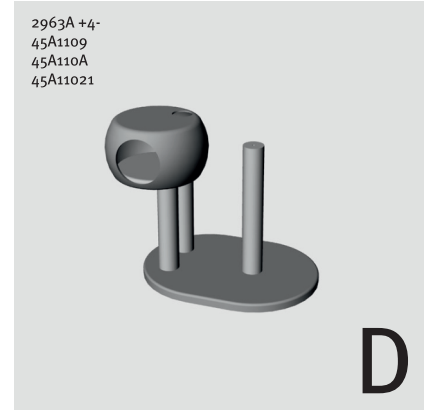
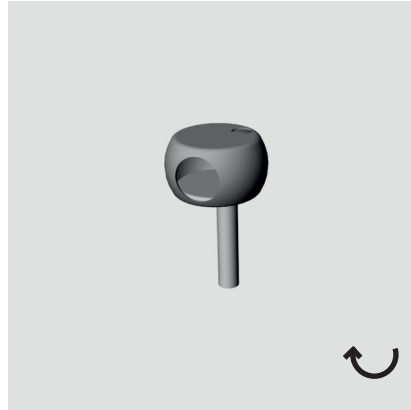
Art.No. 34990



# Outdoor III

## Instructions

KFA\_001210\_DB



Art.No. 34990

Karlie Flamingo NV - Diamantstraat 8/337 - 2200 Herentals - Belgium

[karlie-flamingo.com](http://karlie-flamingo.com)